

Reference washer extractor

Wascator FOM71 CLS

Features and benefits

- Meets IEC and ISO international standards
- Suitable for testing washing effects of detergents and chemicals and for textile quality control
- Suspended drum construction allows a high extraction force. No foundation required
- Small space between outer/inner drum for efficient use of water and detergent
- Dual water control of volume (weight) and level
- Built in scale for precise volume control, accuracy:
 - volume control +/- 0.2 litre/bath
 - level control +/- 0.8 litre/bath
- Equipped with Clarus Control® - a fully programmable electronic timer
- Frequency controlled motor system for flexibility in programming and precise speed
- Test tap for water samples
- Stainless steel drum assembly, front, side and top panel



Images shown are a representation of the product only and variations may occur.

Main options

- LPM (Laundry Program Manager) PC programming kit in Windows. For more information regarding LPM, please refer to the product data sheet for LPM
- Extra program memory cards

Main specifications			Wascator FOM71 CLS
Drum, volume	litre		61
diameter	ø mm		520
Extraction, max	rpm		1100
G-factor, max			350
Heating electricity	kW		5.4

Produced according to ISO 9001 and ISO 14001.

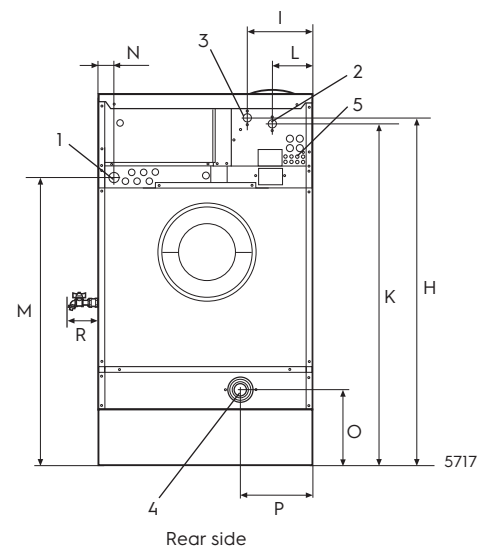
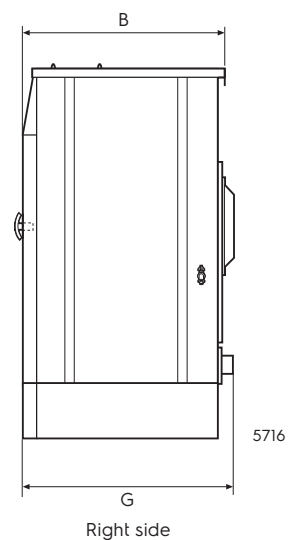
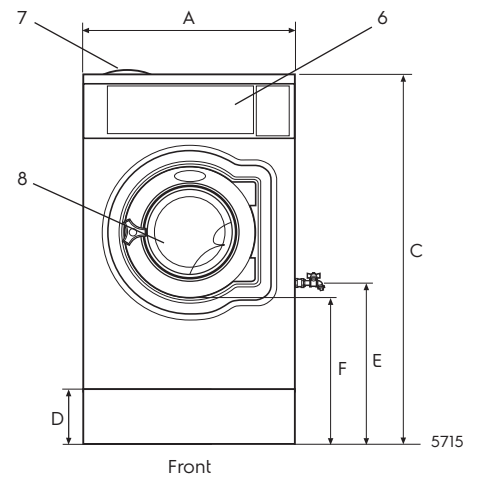
Certified with CB certificate for Low Voltage Directive and S-mark according to the Machinery Directive. Protection class IP X4D.

Function/subsystem

Ambient conditions	
The machine shall be able to function during the same ambient conditions as normal washing machines. The functional values with tolerances will be valid if following ambient conditions are kept	
Voltage	Nominal $\pm 2\%$
Frequency	Nominal $\pm 2\%$
Inlet water	(15 \pm 2) °C
Cold	Max (60 \pm 2) °C
Hot	(240 \pm 50) kPa
Water pressure	(20 \pm 5) °C
Ambient temperature	
Inner drum	
Diameter	(520 \pm 1) mm
Depth	(315 \pm 1) mm
Volume	61 l
Lifting vanes:	
Number	3
Height	53 mm
Radius	17 mm
Base width	65 mm
Perforation: Diameter	5 mm
Depth of countersink	2.5 mm
Total hole area	600 cm ²
Material: Stainless steel	2333 (SS 18/8)
Outer drum	
Diameter	554 mm
Sump	~ (1300 \pm 25) ml
Material: Stainless steel	2333 (SS 18/8)
Door opening	
Opening diameter	310 mm
Cabinet	
Stainless steel	2333 (SS 18/8)
Drum speed	
Washing speed: Programmable	(20 - 59 \pm 1) RPM
Extraction: Programmable	(200 - 1100 \pm 20) RPM
Reversing rythm	
Programmable	(0 - 250 \pm 0.1) = sec. (Tolerance area refers to timer intervals)
Water level	
Weight sensing	
Repeatability	\pm 0.1kg/bath
Stepsize	0.05kg
Dosing accuracy weight control	\pm 0.2kg/bath
Level sensing:	
Repeatability	\pm 5 mm
Stepsize	3 mm
Dosing accuracy level control	\pm 0.8litre/bath
Thermostat	
Continuos variable in each wash sequence	Yes
Selectable interval	(4-97) °C
Programming steps	1 °C
Switch off temperature accuracy in Interval 30-97 °C	\pm 1 °C
Interval switch off temperature - switch on temperature	4 °C

Electrical connections			Wascator FOM71 CLS	
Heating	Voltage			
EI.	230V 3AC 50/60 Hz	kW(A)	5.7(16)	
	240V 3AC 50/60 Hz	kW(A)	5.7(16)	
	400V 3N AC 50/60 Hz	kW(A)	5.7(10)	
	415V 3N AC 50/60 Hz	kW(A)	5.7(10)	
Water and steam connection				
Water valves	DN		20	
Water pressure	kPa		150-400	
Capacity at 300 kPa	l/min		20	
Drain valve	ø mm		50/75	
Draining capacity	l/min		150	
Liquid detergent supplies			4	
Floor requirements				
Frequency of the dynamic force	Hz		18.3	
Floor load at max extraction	kN		1.6 ± 0.5	
Sound levels				
Sound pressure level*	dB(A)		71	
Heat emission				
% of installed power, max			5	
Shipping data				
Weight	net, kg		195	
	crated, kg		260	
Shipping volume	m ³		0.89	
Accessories				
Hose connection kit for water			x	
Dimensions in mm				
A	Width		720	
B	Depth		690	
C	Height		1315	
D			200	
E			750	
F			555	
G			720	
H			1230	
I			220	
K			1010	
L			135	
M			825	
N			45	
O			300	
P			240	
R			135	
1	Electrical connection	5	Liquid supply connections	
2	Cold water	6	Control panel	
3	Hot water	7	Detergent compartment	
4	Drain	8	Door opening ø 310 mm	

* A-weighted emission sound pressure level at workingstations.



Detergent compartment	
Number of compartments	4
Number of programmable liquid detergents	4
Wash programs	
Fully programmable wash programs	Clarus
Memory cards for IEC 60456, ISO 6330, M&S and other can be ordered separately	IEC 60456
Memory cards	Product number/Part number
Kit consisting of 5 empty memory cards:	988 8022-40
ISO6330/1984 (locked card)	988 9162-20
ISO6330/2000 (locked card)	988 9162-22
ISO6330/2012 (locked card)	988 9162-55
ISO6330/2021 (locked card)	988 9162-99
IEC 60456 Ed 4 (locked card)	988 9162-25
IEC 60456 Ed 5 / EN60456: 2016 (locked card)	988 9162-28
EN60456 2005 (locked card)	988 9162-45
EN50640 (locked card)	988 9162-63
* Marks & Spencer (locked card)	988 9162-27
H&M (locked card)	988 9162-47
Woolmark washprograms (locked card)	988 9162-48
ISO3175-4:2003 (locked card)	988 9162-59
ISO3175-4:2018 (locked card)	988 9162-98
ISO 12138:1996 (locked card)	438 9537-69
ISO 10528: 1995 (locked card)	438 9537-70
BS5651: 1989 (locked card)	438 9537-84
HLCC (locked card)	438 9537-73
AS/NZS 2040.1 (locked card)	438 9547-06
Approvals	
The machine shall have same approvals as normal washing machines	CE, cETLus
Special equipment	
Manual tap for sampling of bath water on right side:	Yes
Connection for temperature recording sensor in rear gable:	Yes
Possibility to connect lint trap:	Yes
Memory card with copy safe programs for M&S and (IEC; ISO):	Yes
Procedure for calibration of the machine according to ISO 9000 rules:	Yes
Possibility to take out test pieces from wash bath during the wash:	Yes
Analog output from load cells to data acquisition systems:	Yes

* Approval from Marks & Spencer required.

Pre- programmed wash programs

The Clarus Control in the Wascator FOM71 CLS contains 9 pre- programmed "wash programs". They are not real wash programs but are mainly designated for checking purposes. The stored programs are:

Place	Name	Content
991	Start-up Programme	Flushes the machine with water. Shall be used if the machine has been idle for more than 2 hours.
992	Level check	Checking of the level. With ruler inside the machine fills to 100 mm, 130 mm, 160 mm, and 200 mm.
993	Weight check	Machine fills water to 18kg and to 26kg.
994	Temperature check	Check of the temperatures at 25°C, 40°C, 60°C and 90°C 2 minutes at each temperature.
995	Extraction	500 RPM 1 min.
996	Extraction	500 RPM 5 min.
997	Extraction	775 RPM 2 min.
998	Extraction	950 RPM 4 min.
999	Extraction	1100 RPM 5 min.